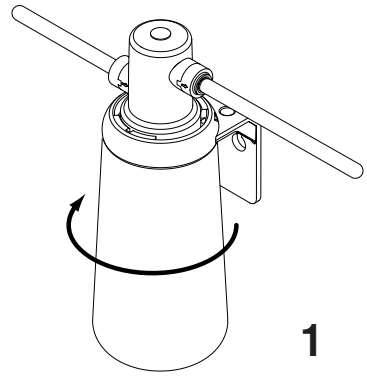


## How to Replace Cartridges

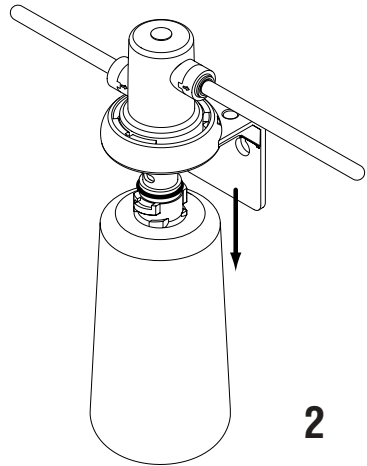
1. Turn cartridge slowly to the left, about 1/4 turn, until it stops. At this position, both inlet and outlet ports are closed and water pressure has been relieved.
2. Pull used cartridge straight down and discard.

Note: There may be a small amount of residual water drainage after pressure is relieved and during cartridge removal.

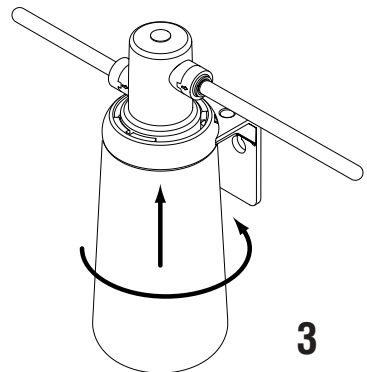
3. Push new cartridge into filter head. Top surface of cartridge will become flush with bottom of the head when fully engaged.
4. Open faucet to flush new filter cartridge, expelling any trapped air and carbon fines. Water may run cloudy with air but will quickly clear.



1



2



3



### Model KWC PURESTREAM

System tested and certified by NSF International against ANSI/NSF Standard 42 for the reduction of Particulate Class I, Chlorine Taste and Odor and against ANSI/NSF Standard 53 for the reduction of Cysts and Turbidity.

Capacity: 500 gallons at flow rate of 1.05 gpm (4 lpm)



### Model KWC PURESTREAM PLUS

System tested and certified by NSF International against ANSI/NSF Standard 42 for the reduction of Particulate Class I, Chlorine Taste and Odor and against ANSI/NSF Standard 53 for the reduction of Lead, Cysts and Turbidity.

Capacity: 500 gallons at flow rate of 1.05 gpm (4 lpm)

**KWC**  
FAUCETS 

**KWC Faucets Inc.**  
1770 Corporate Drive #580  
Norcross, Georgia 30093, U.S.A.

Phone: 678-334-2121  
Fax: 678-334-2125  
Internet: [www.kwcfaucets.com](http://www.kwcfaucets.com)